



FUEL CLOUD



Kiosk V1.0

Installation Manual

Manual Version 1.0
Revised 4/25/24



Welcome to FuelCloud!

This installation guide contains all of the information you need to install your FuelCloud Kiosk.

Before beginning physical installation of a FuelCloud Kiosk, create an account at [FuelCloud.com](https://fuelcloud.com) and register the Kiosk's serial number at its install site. Installation cannot be completed unless the Kiosk is registered online.



Table of Contents

Privacy Statement / FCC Statements / Terms and Conditions	3
Compatibility & Specs	4

Before Installation

Kiosk Overview	6
Hardware and Install Warnings	7
Identify Your Installation Location	10
Turn Power Off	11
Mount	11

Installation

Power Wiring	13
Optional Hardware	15
Internet Configuration	18
Power On & Verification	20



Privacy Statement

FuelCloud is committed to protecting user's privacy. For more information about FuelCloud's privacy policy, please review our full terms and conditions at: fuelcloud.com/privacy-policy



FCC Statements

Find complete details of our FCC compliance at:
fuelcloud.com/fcc-compliance



Terms and Conditions

For a complete terms and conditions, including warranty disclaimers visit: fuelcloud.com/terms-condition



Compatibility & Specs

Power Input	100-240VAC 50/60 Hz 220W
Dimensions	Height: 65.3" (165.9cm) Width: 29.6" (75.2cm) Depth: 12.0" (30.5cm)
Temperature Ratings	-4F to 158F (-20C to 70C)
Humidity	5-90% non-condensing
I/O	Gigabit Ethernet Wireless AC 2x2 Bluetooth 4.0 Cat4 LTE 1x USB 3.0 3x USB 2.0 2x RS232 VGA Out HDMI Out

Declaration of Conformity:

Hereby, FuelCloud, declares that this Kiosk is in compliance with the essential requirements and other relevant provisions of Directive 2014/53/EU. The full text of the EU declaration of conformity is available at the following internet address: [URL of DoC]

FuelCloud vakuuttaa täten että Kiosk tyyppinen laite on direktiivin 2014/53/EU oleellisten vaatimusten ja sitä koskevien direktiivin muiden ehtojen mukainen. The full text of the EU declaration of conformity is available at the following internet address: [URL of DoC]

Hierbij verklaart FuelCloud dat het toestel Kiosk in overeenstemming is met de essentiële eisen en de andere relevante bepalingen van richtlijn 2014/53/EU. The full text of the EU declaration of conformity is available at the following internet address: [URL of DoC]

Bij deze verklaart FuelCloud dat deze Kiosk voldoet aan de essentiële eisen en aan de overige relevante bepalingen van Richtlijn 2014/53/EU. The full text of the EU declaration of conformity is available at the following internet address: [URL of DoC]

Par la présente FuelCloud déclare que l'appareil Kiosk est conforme aux exigences essentielles et aux autres dispositions pertinentes de la directive 2014/53/EU. The full text of the EU declaration of conformity is available at the following internet address: [URL of DoC]

Par la présente, FuelCloud déclare que ce Kiosk est conforme aux exigences essentielles et aux autres dispositions de la directive 2014/53/EU qui lui sont applicables. The full text of the EU declaration of conformity is available at the following internet address: [URL of DoC]

Hiermit erklärt FuelCloud, dass sich dieser/diese/dieses Kiosk in Übereinstimmung mit den grundlegenden Anforderungen und den anderen relevanten Vorschriften der Richtlinie 2014/53/EU befindet". (BMW) The full text of the EU declaration of conformity is available at the following internet address: [URL of DoC]

ΜΕ ΤΗΝ ΠΑΡΟΥΣΑ FuelCloud ΔΗΛΩΝΕΙ ΟΤΙ Kiosk ΣΥΜΜΟΡΦΩΝΕΤΑΙ ΠΡΟΣ ΤΙΣ ΟΥΣΙΩΔΕΙΣ ΑΠΑΙΤΗΣΕΙΣ ΚΑΙ ΤΙΣ ΛΟΙΠΕΣ ΣΧΕΤΙΚΕΣ ΔΙΑΤΑΞΕΙΣ ΤΗΣ ΟΔΗΓΙΑΣ 2014/53/EU. The full text of the EU declaration of conformity is available at the following internet address: [URL of DoC]

Con la presente FuelCloud dichiara che questo Kiosk è conforme ai requisiti essenziali ed alle altre disposizioni pertinenti stabilite dalla direttiva 2014/53/EU. The full text of the EU declaration of conformity is available at the following internet address: [URL of DoC]

Por medio de la presente FuelCloud declara que el Kiosk cumple con los requisitos esenciales y cualesquiera otras disposiciones aplicables o exigibles de la Directiva 2014/53/EU. The full text of the EU declaration of conformity is available at the following internet address: [URL of DoC]

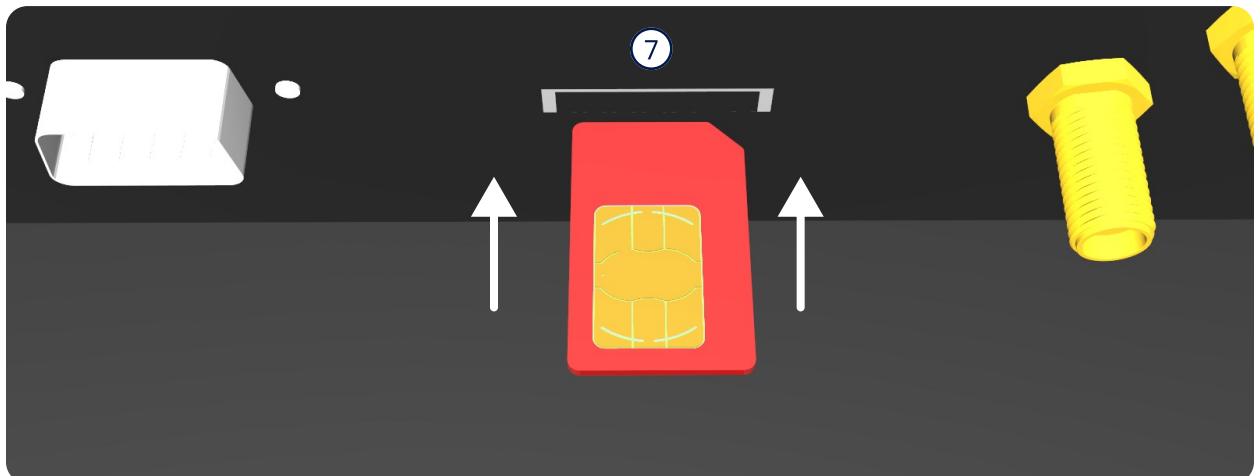
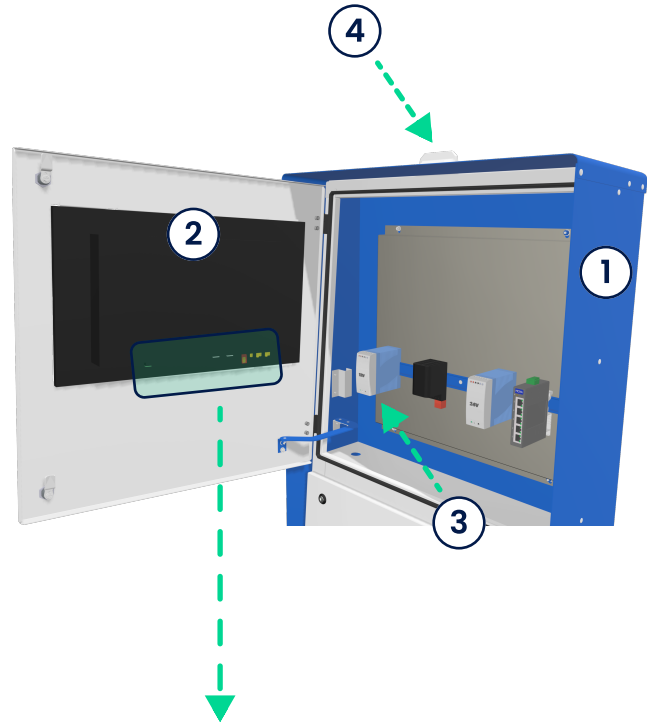
FuelCloud declara que este Kiosk está conforme com os requisitos essenciais e outras disposições da Directiva 2014/53/EU. The full text of the EU declaration of conformity is available at the following internet address: [URL of DoC]



BEFORE INSTALLATION

Kiosk Overview

- ① Kiosk body
 - ② Kiosk screen
 - ③ AC to 12VDC power supply
 - ④ Wi-Fi antenna connections
 - ⑤ Cellular antenna connections
 - ⑥ GPS antenna connection
 - ⑦ SIM card input
 - ⑧ DC barrel jack
 - ⑨ Ethernet input
- 1x Ethernet cable





BEFORE INSTALLATION

Hardware and Install Warnings

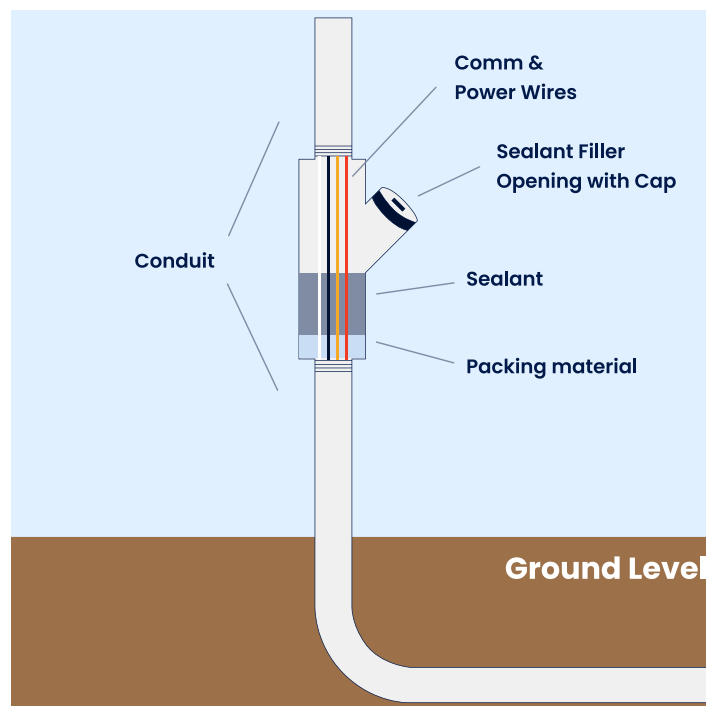
Installations must be in accordance with the National Electrical Code (NFPA No. 70) and the Automotive and Marine Service Station Code (NFPA No. 30A). The installer is responsible for investigating and following any applicable local codes.

Restricted Access:

Access can only be gained by service persons or by users who have been instructed about the reasons for the restrictions applied to the location and about any precautions that shall be taken.

Access is through the use of a tool or lock and key, or other means of security, and is controlled by the authority responsible for the location.

Seal offs must be used when conduit is exiting an explosion proof zone. (class 1 div 1 or class 1 div 2)



Hazardous Area (Where not to mount the CloudBox):

Do not mount the CloudBox or any FuelCloud device within the hazardous / classified area.

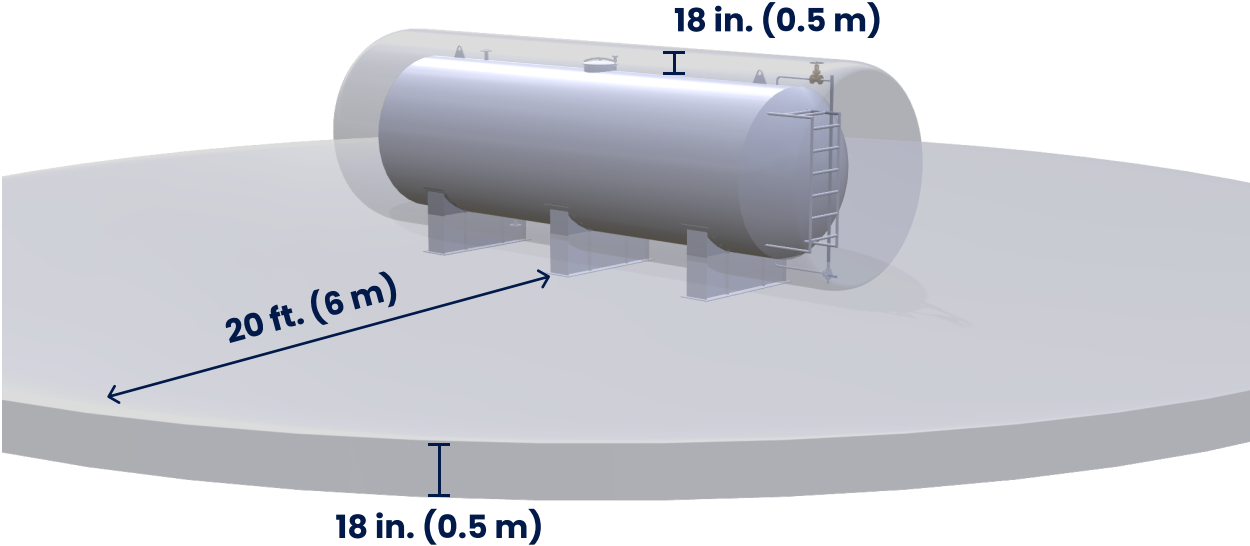
Hazardous Zones:

Dispensing Device	Class 1 Div 1	Class 1 Div 2
Compressed natural gas (CNG)	Entire space within the dispenser enclosure.	1.5 m (5 ft) in all directions from the dispenser enclosure.
Liquefied natural gas (LGN)	Entire space within the dispenser enclosure.	3 m (10 ft) in all directions from the dispenser enclosure.
Liquefied petroleum gas (LP-Gas)	Entire space within the dispenser enclosure; 450 mm (18 in.) from the exterior surface of the dispenser enclosure to an elevation of 1.22 m (4 ft) above the base of the dispenser; the entire pit or open space beneath the dispenser and within 6 m (20 ft) horizontally from any edge of the dispenser when the pit or trench is not mechanically ventilated.	Up to 450 mm (18 in.) above ground and within 6 m (20 ft) horizontally from any edge of the dispenser enclosure, including pits or trenches within this area when provided with adequate mechanical ventilation.

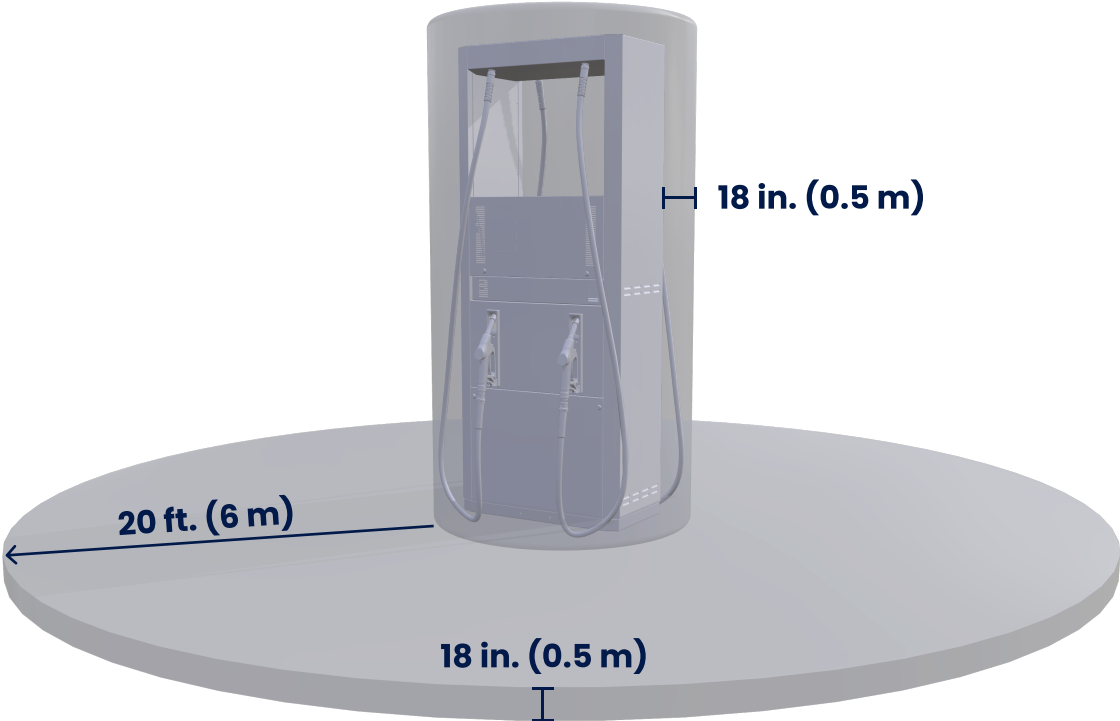
*Pulled from NEC 2018

Hazardous Area Examples:

Classified areas adjacent to dispenser mounted on aboveground storage tank:



Classified areas adjacent to dispensers:





BEFORE INSTALLATION

Identify Your Installation Location

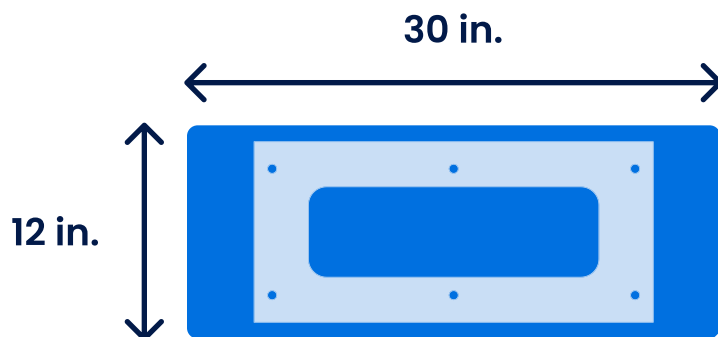
The FuelCloud Kiosk must be installed 18 inches away from all fuel dispensers and tanks. All conduits coming from hazardous areas must have seal-offs 18 inches above the hazardous zone. AC power is required. Choose a location where it is accessible.



Prevent glare by installing the kiosk facing north or south.



The base of the Kiosk is 12" x 30":





BEFORE INSTALLATION

Turn Power Off

Turn off all power to the pump at the breaker.



BEFORE INSTALLATION

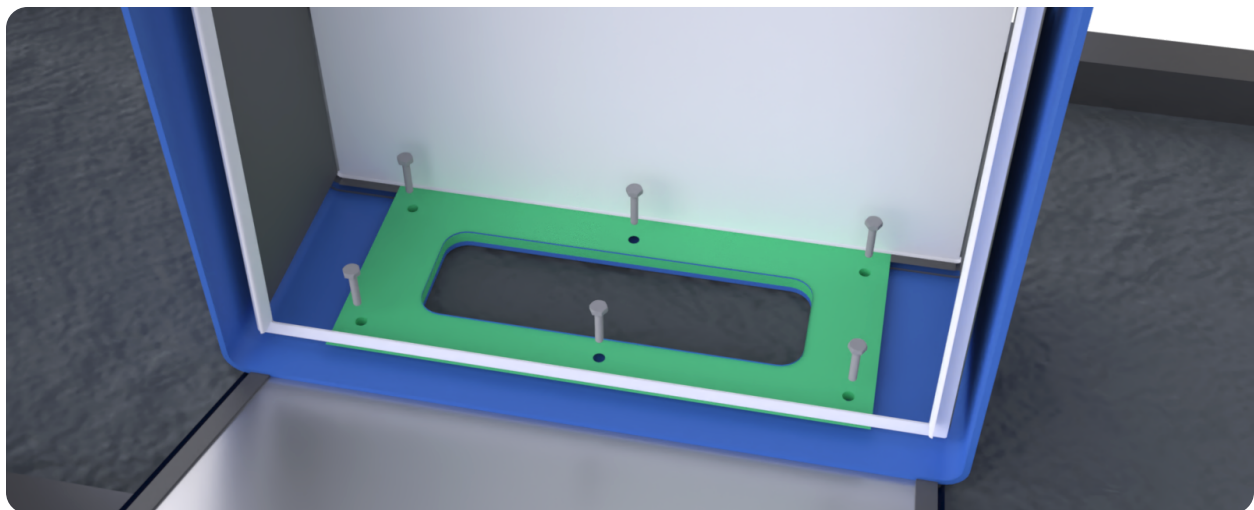
Mount

Unlock and open the bottom panel of the Kiosk:

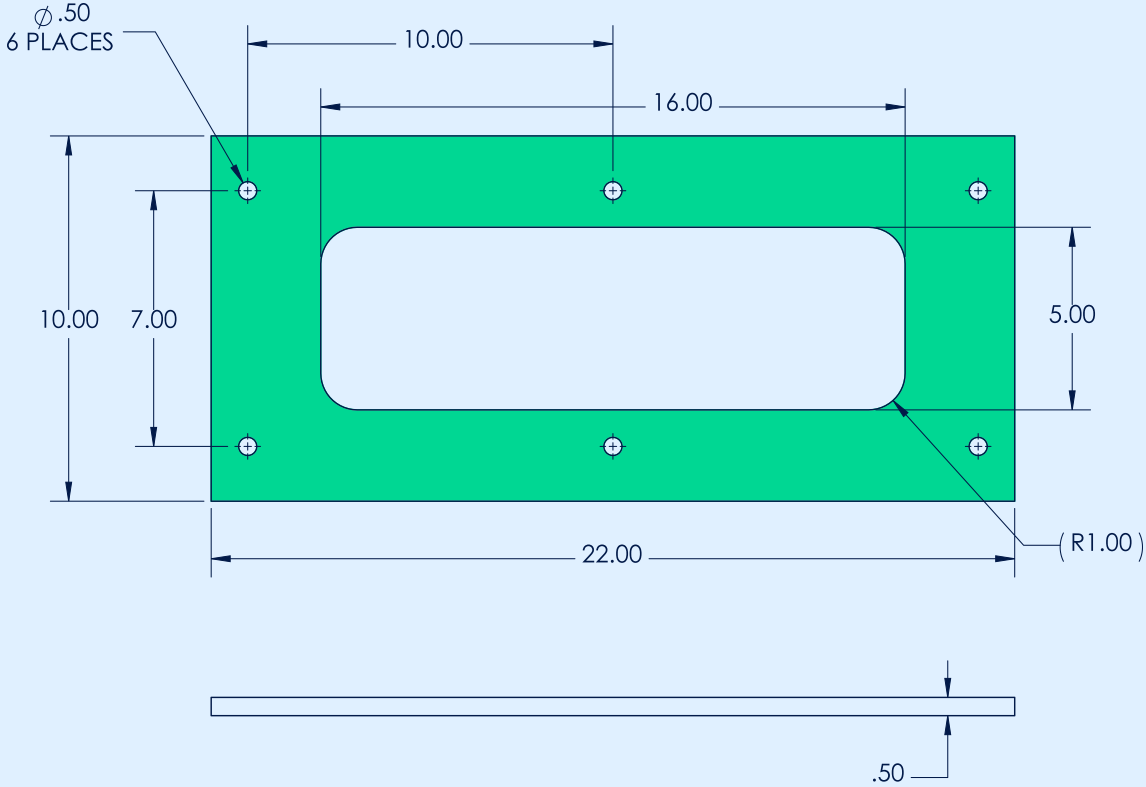


Bolt the Kiosk into the ground:

Mark and drill 6 holes for cement anchor bolts. The mounting holes are 1/2". See page 13 for mounting plate dimensions.



Kiosk mounting plate dimensions:





INSTALLATION

Power Wiring

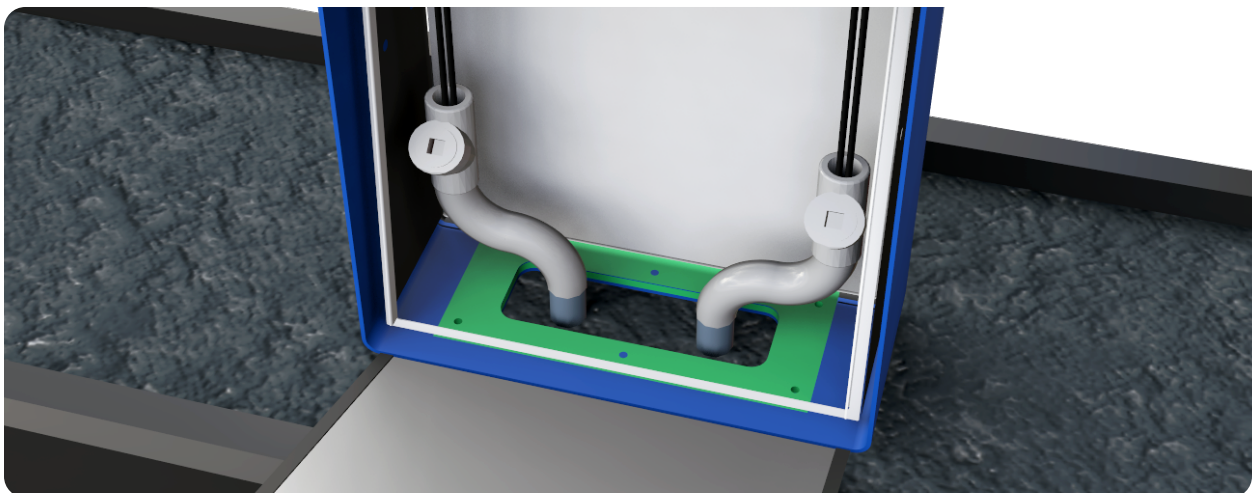


Warning: AC power and communication wires must be in separate conduits.

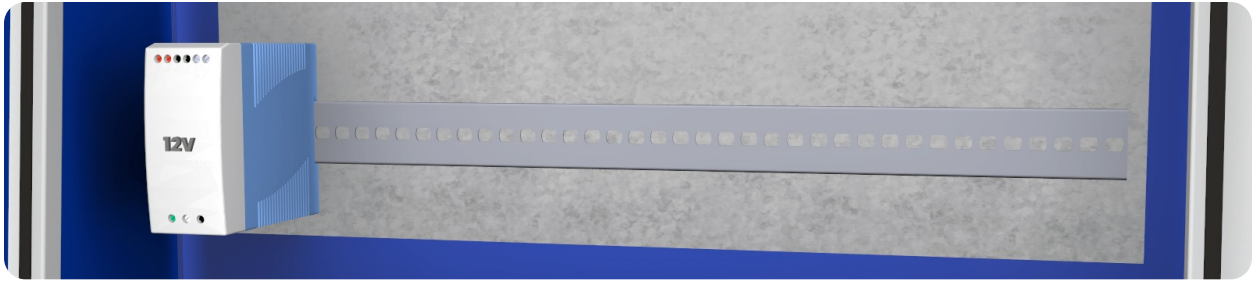
1. Unlock and open the top panel of the Kiosk.



2. If both a CloudBox and CloudLink are being used, make sure that the conduit does not block their mounting points.



3. Mount MDR-60-12 power supply on the DIN rail in the top cabinet.



4. Connect 110/220 VAC to L, N(L2), and G of the power supply.

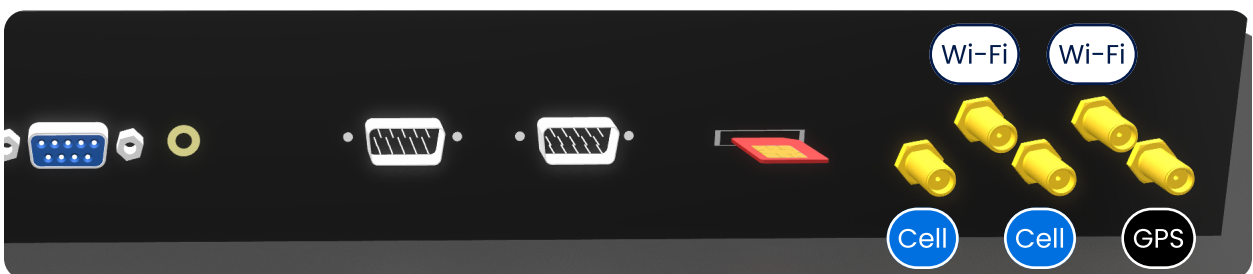


5. Connect V+ and V- to the DC terminal on the bottom of the screen.



Antenna connections:

6. Connect the Wi-Fi (white), cellular (blue), and GPS (black) antennas.



7. Close and lock both panel doors.

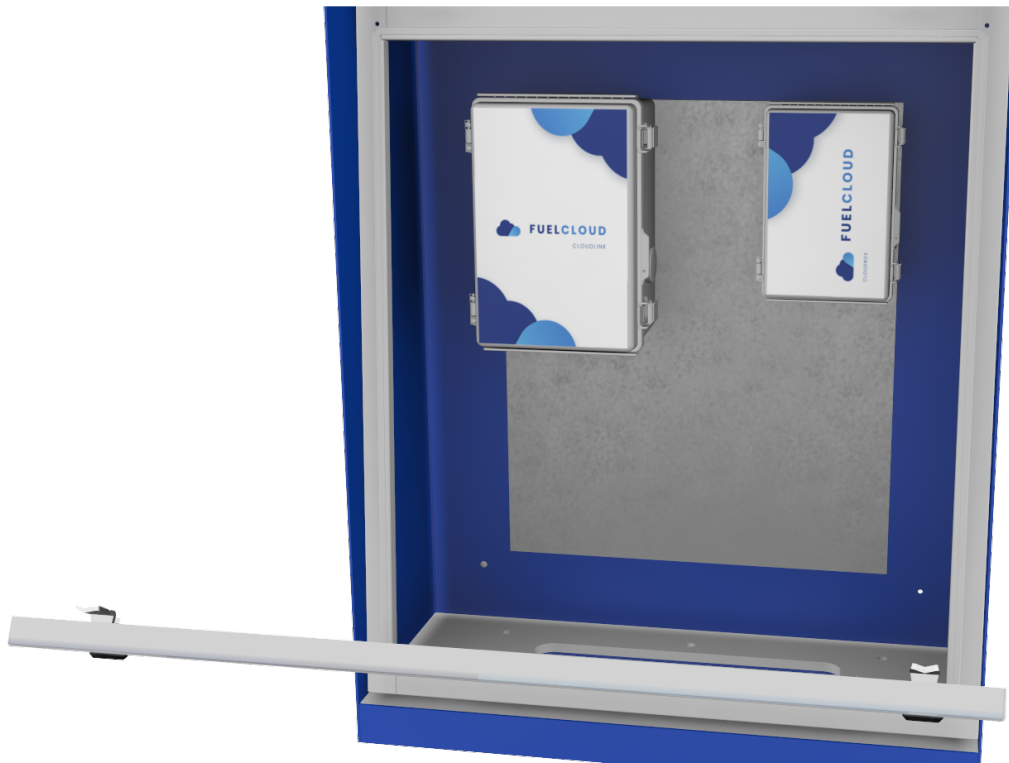


INSTALLATION

Optional Hardware

Install a CloudBox and/or CloudLink:

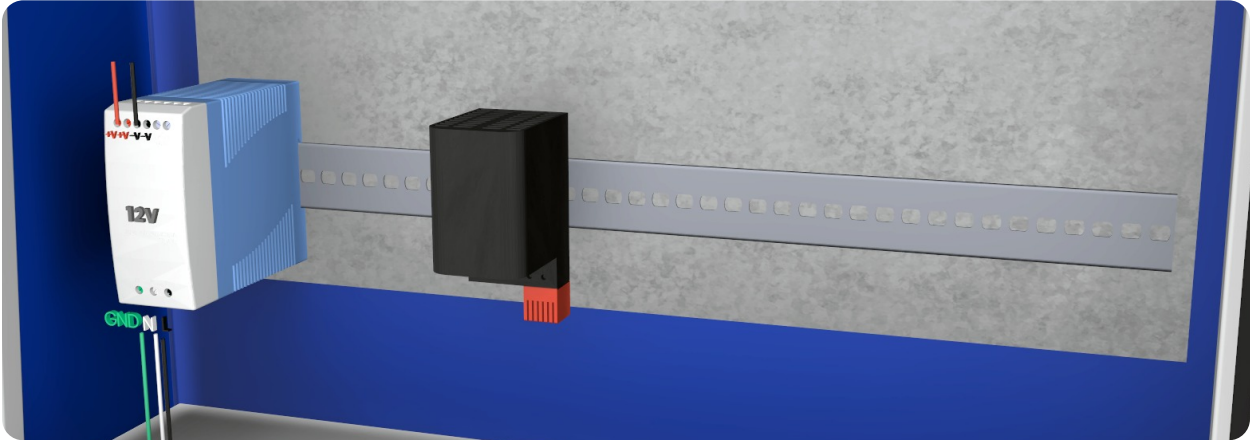
- 1 Remove the metal plate in the lower cabinet.
- 2 Bolt the **CloudBox** into the **top right** of the plate.
- 3 If installing, bolt the **CloudLink** into the **top left** of the plate.
- 4 Reattach the mounting plate into the lower cabinet of the Kiosk.



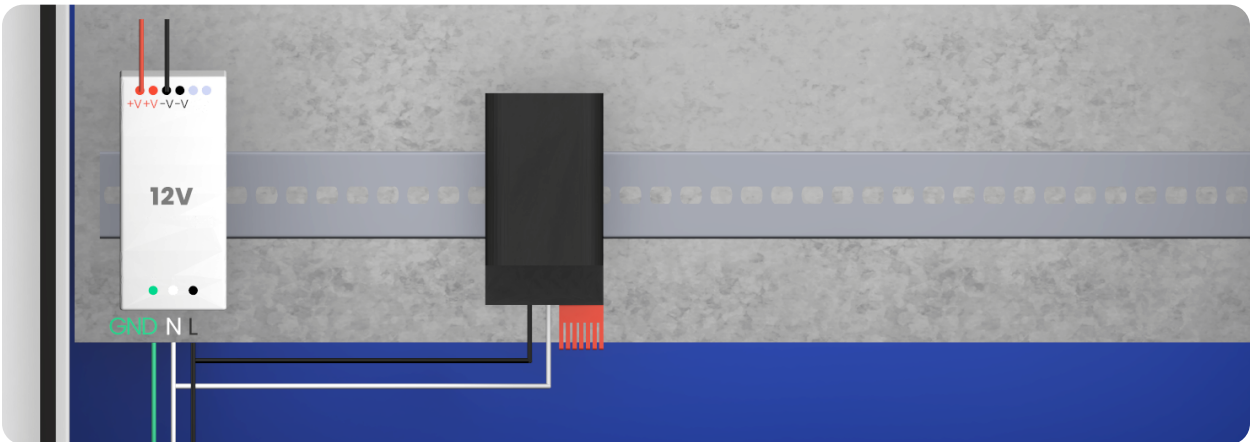
Note: Please refer to the CloudBox and CloudLink installation guides for power and pump wiring.

Install a heater:

- 1 Mount the included heater onto the DIN rail in the top cabinet.

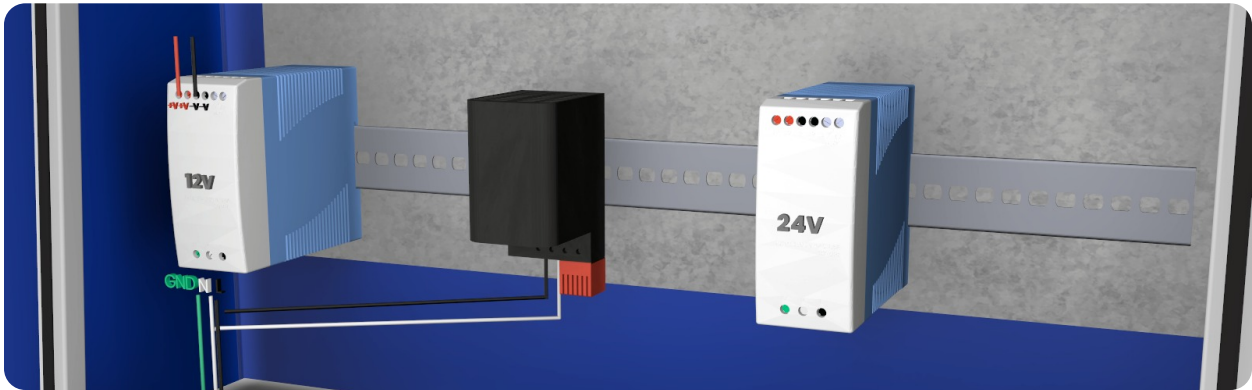


- 2 Connect Line to Terminal 1 and Neutral to Terminal 2.

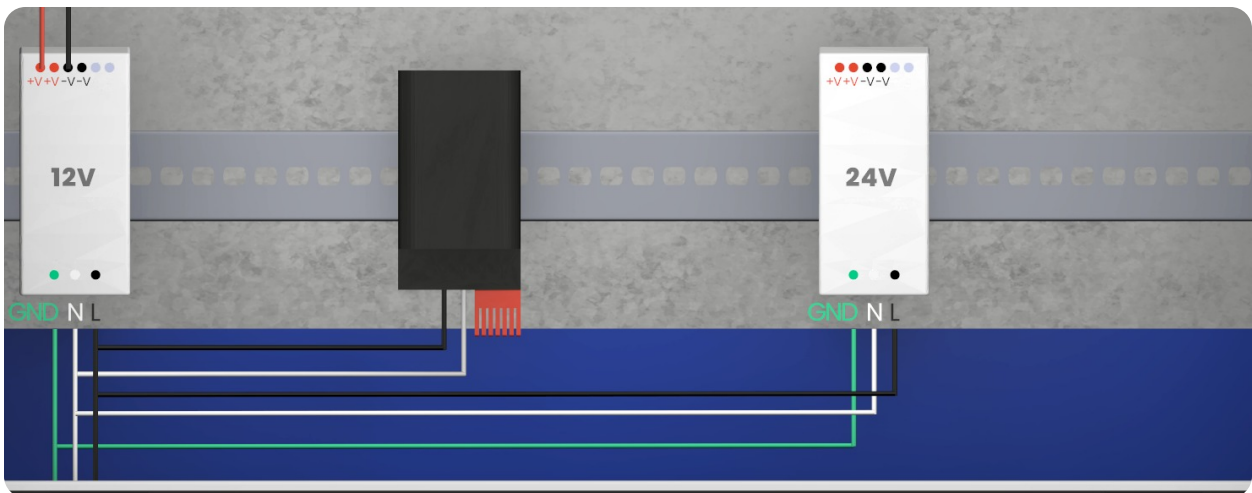


Install an ethernet switch:

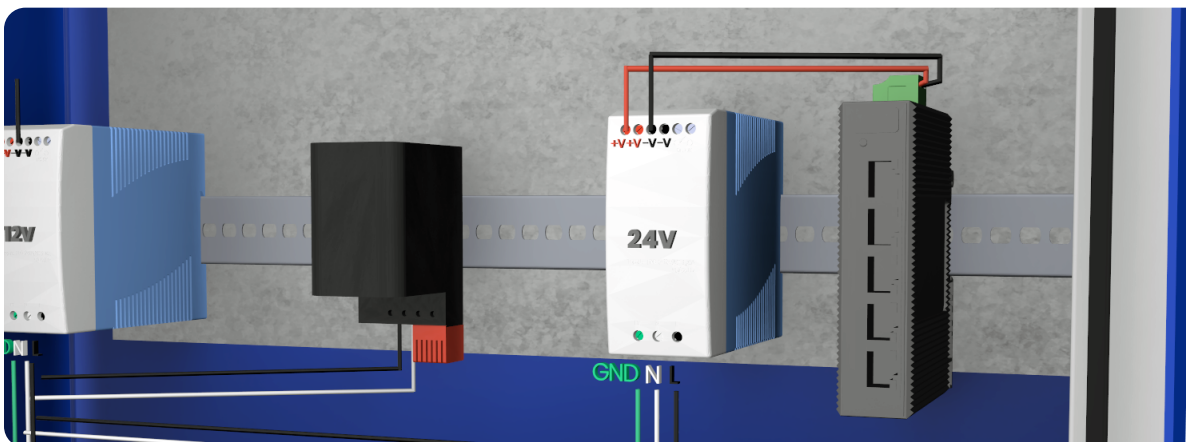
- 1 Mount the MDR-60-24 power supply on the DIN rail in the top cabinet.



- 2 Connect 110/220 VAC to L, N(L2), and G of the power supply.



- 3 Connect V+ and V- to the DC terminal on the ethernet switch.

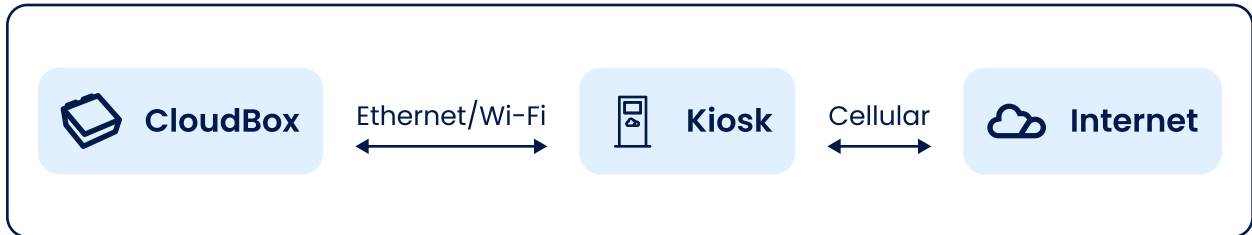




INSTALLATION

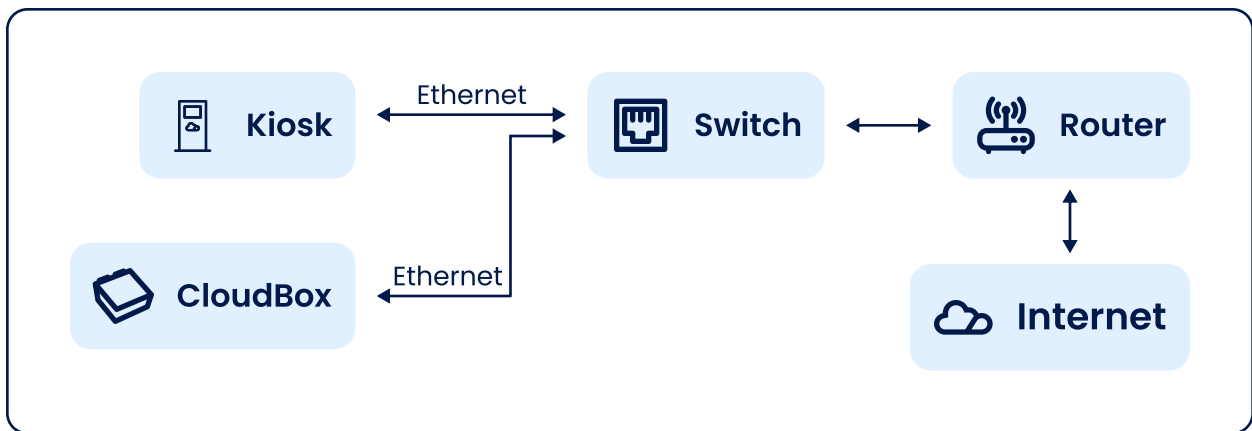
Internet Configuration

Cellular:



The FuelCloud Kiosk can communicate with the internet through cellular. The Kiosk will then communicate with the CloudBox over Wi-Fi or ethernet. **FuelCloud recommends connecting the Kiosk directly to the CloudBox with the included ethernet cable.**

Company Ethernet:

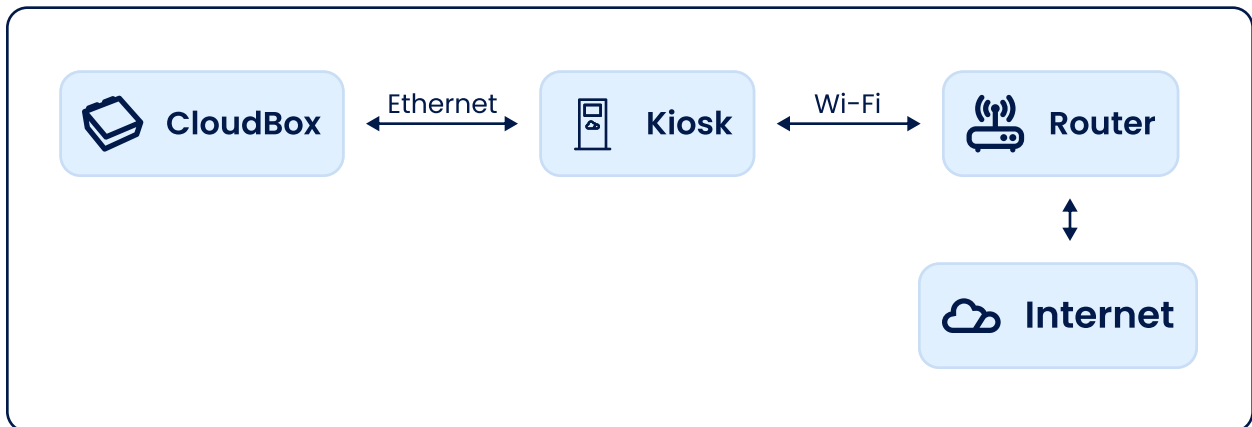


Connect the Kiosk screen, CloudBox, and router to the ethernet switch via ethernet cable. If you did not purchase an optional ethernet switch, connect both directly to the router.



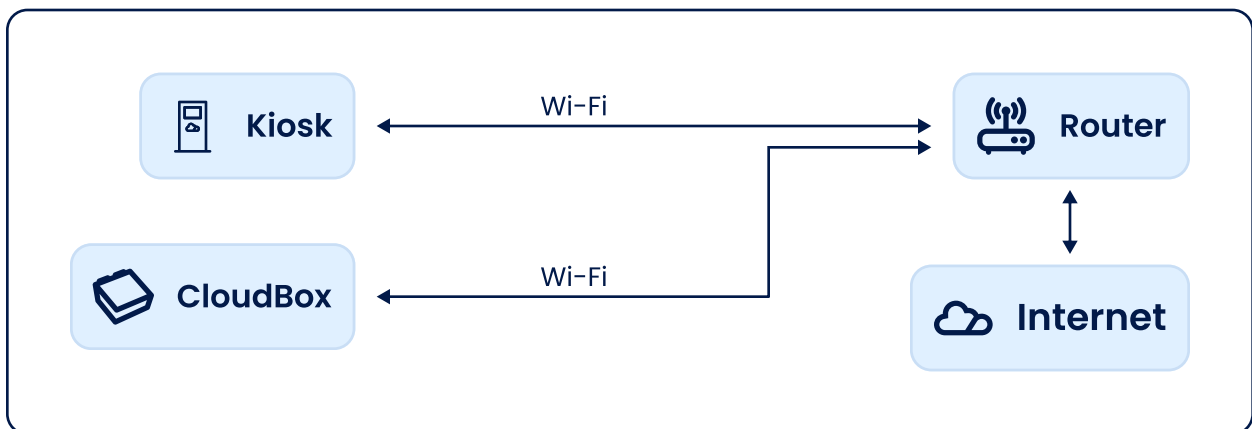
Note: For ethernet with a switch, the CloudBox will need to be on “client” mode.

Wi-Fi:



If cellular and hardwired ethernet are not options for connecting the FuelCloud Kiosk to the internet, the Kiosk can be connected to a Wi-Fi network. You will need to enter both the SSID and the password to bring the Kiosk online. The CloudBox can be connected directly to the Kiosk through ethernet.

Alternatively, the CloudBox can be connected to the same SSID:

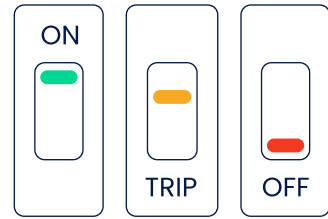




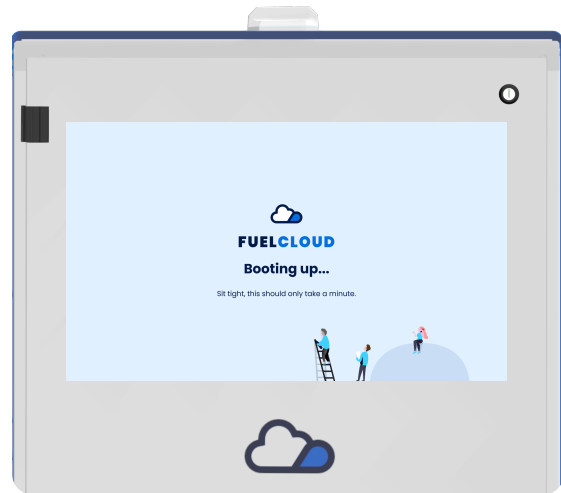
INSTALLATION

Power On & Verification

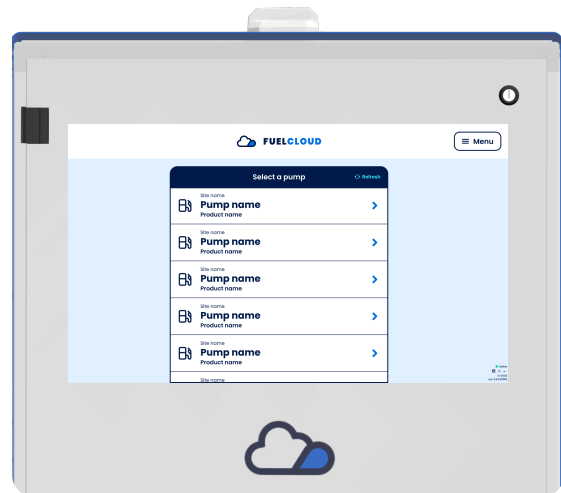
1 Turn on power to the Kiosk at the breaker.



2 Kiosk should take about 5 seconds to start booting up.



3 A list of pumps should appear.



There may be fog inside the screen that will burn off after an hour or so in daylight.

4 Test transaction

- Have the FuelCloud system administrator create a driver profile and PIN for you.
- Perform a test transaction on the Kiosk using the driver profile and PIN.
- The FuelCloud Kiosk may perform an update on first use.

5 Check pulse rate

- Confirm that the volume displayed on the FuelCloud Kiosk matches the volume of fluid being dispensed by the equipment.

6 You are all finished. Congrats!

- For technical support please call: (844) 792-6071



Revised 4/25/24

FuelCloud, Inc.
124 SW Dennis Ave
Hillsboro, OR 97123